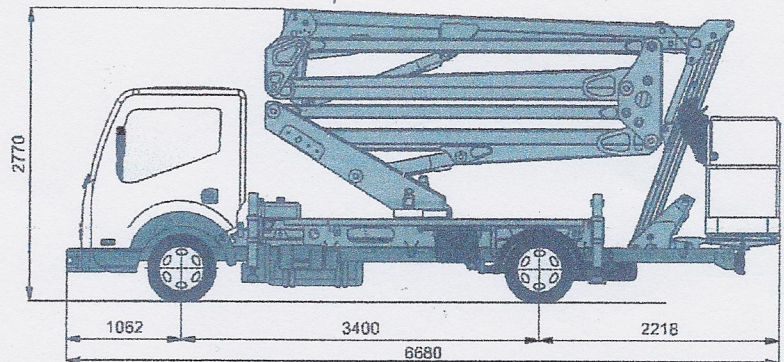
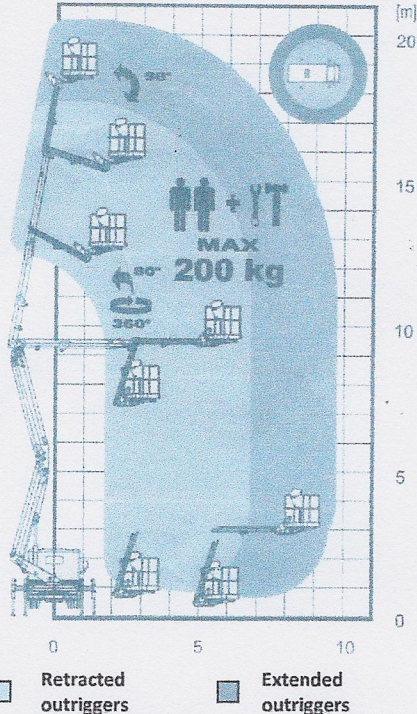


Max. working height:	20.60m
Max. outreach:	9.75m
Cage capacity:	200kg
No. of operators:	2
Max. manual force:	40 daN
Max. wind speed:	12 m/s
Boom configuration:	Double pantograph and 2 section telescopic and jib
Boom Angle:	-2°/+80°
Turret rotation:	370°
Platform size:	1400mmx710mmx1100mm
Platform rotation:	75° left 75° right
Hydraulic outrigger type:	Hydraulic 'H' type extending front and rear
Outriggers width:	Retracted: 1.95m Extended: 2.8m
Controls:	Electro hydraulic
Minimum vehicle installation:	3.5T



STANDARD DEVICES

Proportional hydraulic controls mounted in the cage with the ability to carry out several operations simultaneously, ground controls also provided for emergency manoeuvres *Outrigger controls on the truck body *Overload device in the cage *Check valves on all hydraulics *Interlocking safety device between outriggers & boom *Emergency over ride hand pump *Cage can be positioned on the ground *Cage floor in non slip aluminium *Tool box on truck body *One magnetic orange safety beacon *Engine can be stopped from the cage and ground controls *Power outlet in the cage *Hour meter *Cage access ladder *Mud guards with splash flaps on rear wheels *Radius restrictor *Anti-collision device between boom & cab and front outriggers & door *Fully CE approved *Custom painting